







Introducing the **EDGE** Collection

WE CAREFULLY STUDIED EUROPEAN 'thin line' products before we designed the EDGE Collection.

IT TOOK THREE PLUS YEARS to design and perfect the first two products: the EDGE | f | and EDGE | s |. These exceptional products possess the fit & finish and superior functionality demanded by Fleetwood and our uniquely discerning clients.

UNLIKE OTHER DOORS, THE EDGE | s | sliding door achieves a pure 'zero' at both jambs, features proprietary luxury hardware, and operates with ease.

THE EDGE | f | FIXED WINDOW offers a hidden draining system and requires little to no damage to remove glass, features not found in competing fixed systems.

DESIGNED FOR MODERN HOMES WITH AN ELITE VIEW, these products boast barely-there sightlines with frames that disappear into the surrounding finishes. Each is easily maintained and backed by our industry-leading *Transferable Lifetime Warranty*.

EDGE | s |

MULTI-SLIDE & POCKET DOOR

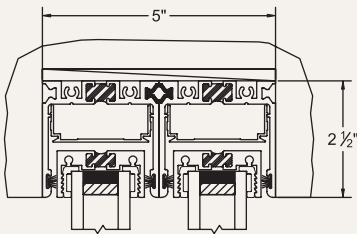


CONFIGURATIONS

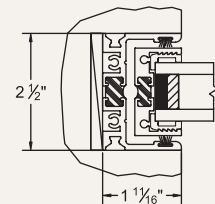
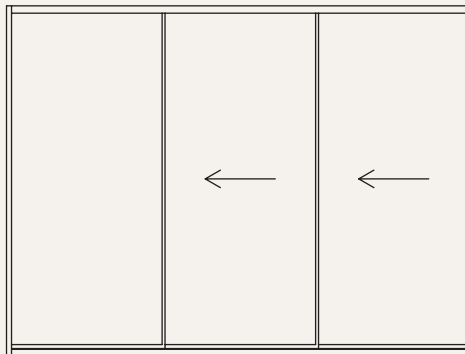
Virtually Unlimited Multi-Slide, Pocket, and Corner Applications.

↔ MAX PANEL WIDTH	↕ MAX FRAME HEIGHT	☀ EXAMPLE SHGC	❄ EXAMPLE U-FACTOR
8'	12'	² NFRC 0.26	³ S.P.A. 0.26
		² NFRC 0.31	³ S.P.A. 0.25

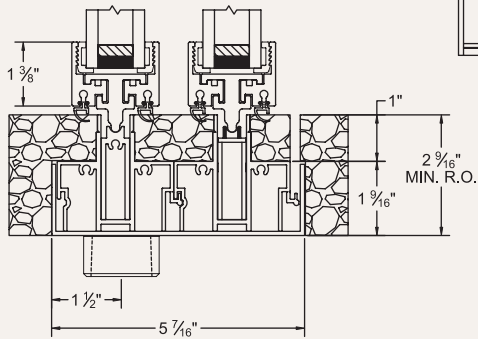
Elevation View:
OXX Configuration



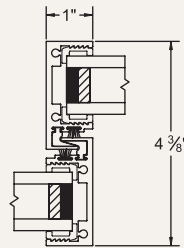
Head



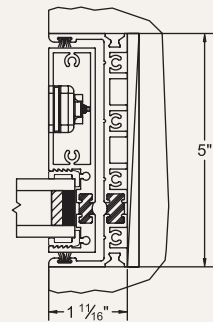
Jamb



Standard Sill w/Arche-Duct



Keeps



Fin-Jamb

¹Max width and height are not necessarily available in combination.

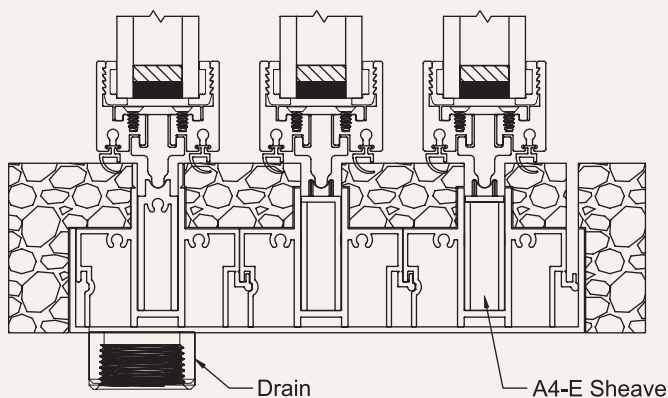
²Specimen size: 79" x 79".

³Specimen size: 216" x 144" OXX.



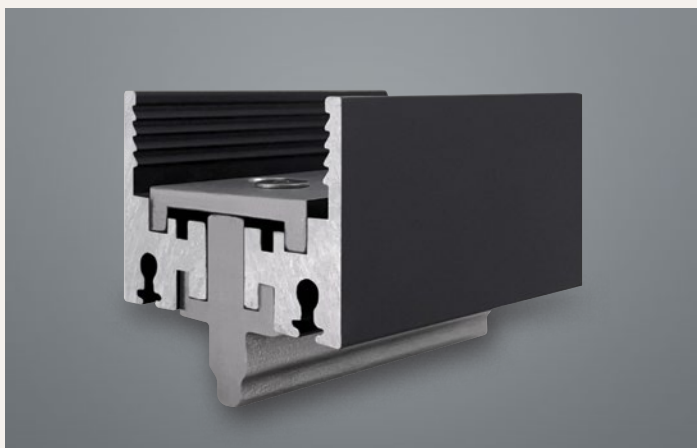
INVERTED ROLLER

The EDGE | s | uses a procession of rollers, called Sheaves, below the finished floor. Each removable Sheave contains a series of 2" diameter stainless-steel wheels positioned every 4". Every wheel is fitted with certified Swiss precision bearings.



WATER PERFORMANCE

The EDGE | s | sub-floor drain far exceeds residential water performance needs and the continuous floor blurs the barrier to the outdoors. Easy maintenance of the Sheaves makes the EDGE | s | the most practical door in its class.



“BEST IN-CLASS” BOTTOM RAIL

The EDGE | s | bottom rail is pure Archetype genius. Strength is achieved through an extruded stainless-steel Keel which glides on 2" stainless-steel rollers. Competing products offer a miniscule roller that is fraught with operational challenges.



THE ONLY ZERO-EDGE

The EDGE | s | is the only door in its class with a flow-through wall at both jambs. This is achieved using the Archetype Blade locking system, where a stainless-steel latch is mortised in the Fin and lowers a Blade into a stainless-steel Case buried in the finished floor.

EDGE | f |

FIXED WINDOW



CONFIGURATIONS

■ Virtually Unlimited In-Line.

MAX PANEL WIDTH

Determined by Site Wind Loads

MAX FRAME HEIGHT

Determined by Site Wind Loads



EXAMPLE SHGC

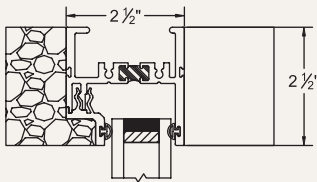
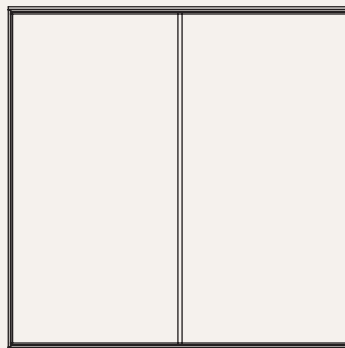
0.26 ²NFRC



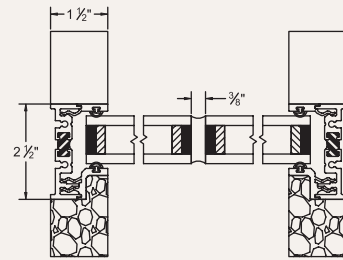
EXAMPLE U-FACTOR

0.25 ²NFRC

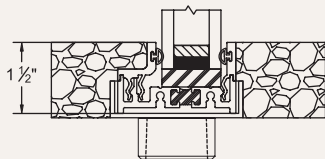
Elevation View:
OO Window



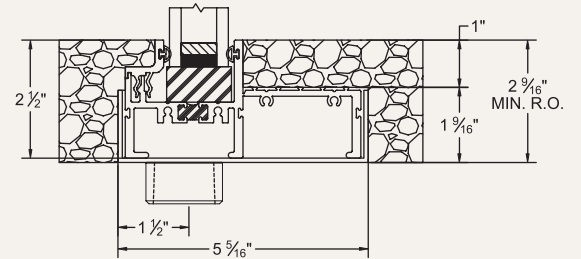
Narrow Head



Jamb / Butt Glaze / Jamb

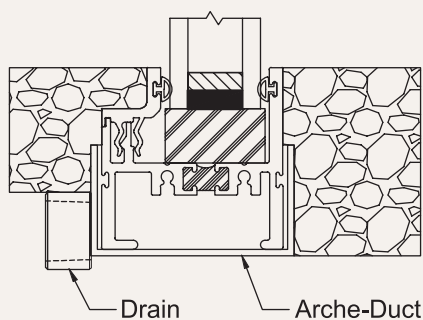


Low Profile Sill w/Arche-Duct



Standard Sill w/Arche-Duct

²Specimen size: Nom. 47" x 59".



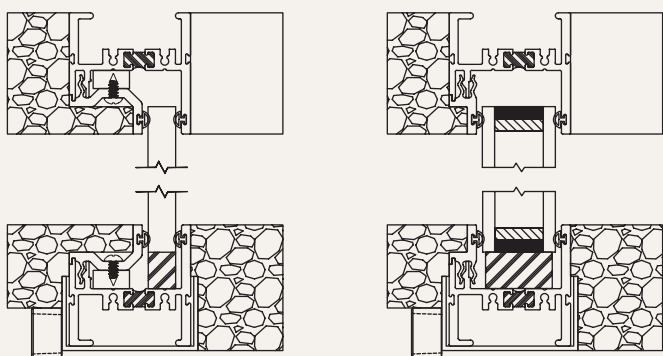
HIDDEN WATER PERFORMANCE

The concealed Arche-Duct draining system (SFD-E) handles high-rise water performance with three sill options. The factory provides drains 8" from each jamb and at the center.



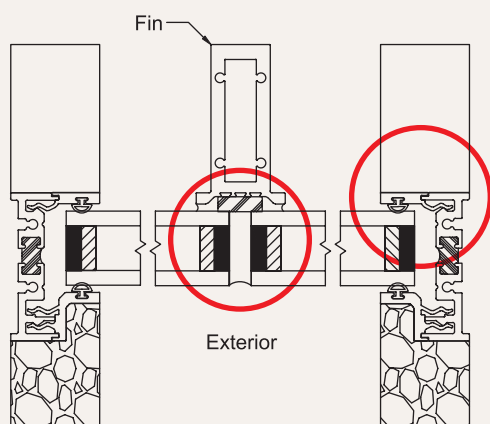
MINIMAL PRESENTATION

The EDGE | f | is a zero-edge system allowing the ceiling, floor and walls to flow through the glass. The optional Fin provides added wind-load support and the dimensions perfectly complement the EDGE | s |.



GLASS DEPTHS & SIZES

Customers may choose between three different Glass Wedge depths ($\frac{9}{16}$ ", $1\frac{1}{4}$ " or $1\frac{1}{2}$ "). All three expose a minimal $\frac{3}{16}$ " interior shelf for consistency.



GLASS REPLACEMENT

Similar systems on the market, e.g. channel glazed, require extensive demolition to change the glass. In contrast, NO damage to the opening finishes is required if a Fin or butt joint exists. For single lite configurations, only 1" of interior wall needs to be removed from each side to expose the Wedge.



Fleetwood Windows & Doors

1 Fleetwood Way, Corona, CA 92879
P.O. Box 1086, Corona, CA 92878-1086

800.736.7363
951.279.1070

www.FleetwoodUSA.com
Sales@FleetwoodUSA.com

DISTRIBUTED BY:



All detail subject to change without notice. April, 2021.
Copyright © 2021 Fleetwood Windows & Doors. All rights reserved.